

WD ratings for receiver hitches are listed first and WC ratings second. If only one rating is listed, it is a WC rating. Hitches with only a WC rating are not designed to be used with a weight distributing system.

TW ratings are usually 10% of the WD & WC ratings unless noted in blue in the Vehicle column.

Electrical Connector Kits
Year ranges may differ from the year ranges for receiver hitches.

Kits provide 4-pin flat connector unless noted. See page 119 for Part 2 adapters.

Vehicle Application Guide

Vehicle	Drill	ITEM#	Price	Cls	GTW Rating	Mfg	Year	ITEM#	Price	Code*
Call (717) 865-7440 for help to select your hitch. Many more custom-fit hitches are available.					WD / WC					

Abbreviations

TW: Tongue Weight
Pounds pressing down on the hitch ball
GTW: Gross Trailer Weight
Total pounds of trailer and load
WC: Weight Carrying
GTW if using a standard ball mount
WD: Weight Distributing
GTW if using a weight distributing system

Check your vehicle owner's manual for towing capacity ratings and other special warnings or advice. Never exceed your vehicle manufacturer's stated towing capacity.

WARNING

Never modify any piece of your towing system. Failure to heed warning may result in serious personal injury or death, vehicle crash, and/or property damage.

Class 1

Receiver size 1¼" square
Receiver pin ½" pin & keeper included
Ball mount Included

Class 2

Receiver size 1¼" square
Receiver pin ½" pin & keeper included
Ball mount Included

Class 3

Receiver size 2" square
Receiver pin ⅞" pin & keeper, Not included
Ball mount Not Included

Class 4

Receiver size 2" square
Receiver pin ⅞" pin & keeper, Not included
Ball mount Not Included

Class 5 Xtra Duty

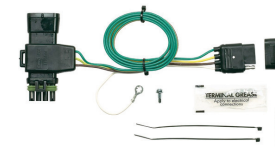
Receiver size 2" square
Receiver pin ⅞" pin & keeper, Not included
Ball mount Not Included

Class 5 Commercial Duty

Receiver size 2½" square
Receiver pin ⅞" pin & keeper, Not included
Ball mount Not Included

Kit Type

Always check the Code* column
Codes are explained in the footnote box at the bottom of every spread.



Basic Wiring Kit



Power Converter Wiring Kit



122643
Class 2



15410
Class 5 XTRA DUTY



13042
Class 3

Front Mount Receiver Hitches Available
*Call to order.

Vehicle Application Guide

Vehicle	Drill	ITEM#	Price	Cls	GTW Rating	Mfg	Year	ITEM#	Price	Code*	
Acura							Electrical				
MDX											
01-06		ND 13328	\$268.95	3	5000/3500	CURT	01-06	HT43105	\$41.95	P,RC,B	
07-13		RT ND 13354	\$327.95	3	5000/4000	CURT	07-13	HT18424	\$45.95	P,RC,B	
14-20		900 TW! ND 13146	\$275.95	3	8000/6000	CURT	14-20	HT18628	\$57.95	P,RC,B	
RDX											
13-18		600 TW! ND 13130	\$208.95	3	4000	CURT	07-18	HT56008	\$45.95	PC2,B	
19-24		May interfere with lift gate kick sensor, RT ND 13423	\$204.95	3	3500	CURT					
Audi							Electrical				
Q7 Quattro											
07-11							07-11	HT19191	\$99.95	U,PC	
07-15		Minor Fascia Trim Required, AS ND 13220	\$327.95	3	6000	CURT	07-15	With factory 7RV see page 117			
BMW							Electrical				
X3											
11-17		Under car trimming required (not fascia) ND 13316	\$262.95	3	4000/3500	CURT		HT19251	\$229.95	ZCI	
X4											
15-18		Under car trimming required (not fascia) ND 13316	\$262.95	3	4000/3500	CURT		HT19251	\$229.95	ZCI	
X5											
07-18		Noticeable fascia trim, AS, RT ND 13077	\$342.95	3	6000/6000	CURT	15-18	HT18743	\$113.95	P,PC,B	
X6											
14-19		Noticeable fascia trim, AS, RT ND 13077	\$342.95	3	6000/6000	CURT		HT19251	\$229.95	ZCI	
Buick Cars							Electrical				
Verano											
12-17	Excluding dual exhaust	Under car trimming, AS ND 112823	\$260.95	1	2000	CURT					
Buick Vans & SUV's							Electrical				
Enclave											
08-12							08-12	HT18450	\$36.95	P,BS	
08-17		AS ND 13424	\$219.95	3	6000/5000	CURT	13-17	HT18270	\$44.95	P,BS	
18-24	Temporary bumper removal	Main body concealed, 750TW ND 13433	\$254.95	3	5000/5000	CURT	18-24	HT18761	\$34.95	P,BS	
							Provides 7RV				
							13-17	HT18271	\$77.95	P,BS	
							18-24	HT18287	\$49.95	P,BS	
Encore											
13-22	Excluding GX	RT,AS HE 115273	\$312.95	1	2000	CURT					
Cadillac							Electrical				
Escalade											
99-00		HE 14029	\$327.95	3	12000/10000	CURT	1999	HT41125	\$25.95	P,BS	
2002		ND 13402	\$262.95	3	10000/6000	CURT	02-22	U.S. Car options: page 117			
03-06		RT ND 13422	\$268.95	3	10000/6000	CURT					
		2400 TW! ND 15324	\$361.95	5	17000/16000	CURT					
SRX											
10-16		Main body concealed ND 13002	\$245.95	3	6000/5000	CURT	With Factory Tow Package				
							10-16	HT56096	\$18.95	P,BS,B	
XT5											
17-24	Except Platinum	750 TW! ND 13285	\$262.95	3	6000/5000	CURT	17-24	HT18720	\$28.95	P,BS	
							Provides 7RV				
							17-24	HT18276	\$44.95	P,BS	

Hitch & Electrical Applications



Vehicle	Drill	ITEM#	Price	Cls	GTW Rating	Mfg	Year	ITEM#	Price	Code*	
Chevrolet/GMC Cars							Electrical				
Cobalt							Coupe 2 Door				
05-10 SS models only	AS	114473	\$298.95	1	2000	CURT	05-10	HT18407	\$33.95	P,BS	
Cruze							(2016 limited only, Old Body Style)				
11-15 Except Diesel		ND	112823	\$260.95	1	2000	CURT	11-16	HT18508	\$92.95 P,PC,B	
HHR											
06-11	AS	114473	\$298.95	1	2000	CURT	06-11	HT18407	\$33.95	P,BS	
Impala											
00-16 14-16 Limited only		ND	122523	\$335.95	2	3500	CURT	06-13	HT18417	\$33.95 P,BS	
Chevrolet/GMC Vans and SUV's							Electrical				
Acadia							07-12 HT18451 \$49.95 P,BS				
07-17 2017 Limited only	AS	ND	13424	\$219.95	3	6000/5000	CURT	2017 Limited only			
17-23 Except AT4 and 2017 Limited		ND	13293	\$245.95	3	5000	CURT	13-17	HT18270	\$44.95 P,BS	
							Main body exposed, Under car trimming required, 750 TW!				
							Except 2017 Limited				
							17-23 HT18720 \$28.95 P,BS				
							07-22 With factory 7RV see page 117				
							Provides 7RV				
							2017 Limited only				
							13-17 HT18271 \$77.95 P,BS				
							Except 2017 Limited				
							17-23 HT18276 \$44.95 P,BS				
Astro, Safari Van											
85-05 Except full-size 16" spare		ND	13035	\$283.95	3	6000/4000	CURT	95-05	HT41225	\$14.95 U,BS	
Blazer, Jimmy Full-size											
92-94		HE	14029	\$327.95	3	12000/10000	CURT				
Blazer, Jimmy, Envoy							95-02 HT41225 \$14.95 U,BS				
95-04		RT	ND	13300	\$262.95	3	6000/4000	CURT	19-24	HT18720 \$28.95 P	
							Provides 7RV				
							19-24 HT18276 \$44.95 P				
Equinox											
05-17		AS	ND	122913	\$283.95	2	3500	CURT	10-17	HT56094 \$34.95 P,BS	
							RT ND 13591 \$193.95 3 4000/3500 CURT Except Premier				
18-24 Except diesel		HE	675 TW!	13439	\$219.95	3	4500/4500	CURT	18-21	HT18750 \$78.95 P,PC	
Suburban, Tahoe, Yukon											
92-99 (Also 2000 Old Body Style Tahoe)		HE	14029	\$327.95	3	12000/10000	CURT	73-84	HT41105	\$25.95 P,BS	
00-02 New Body Style		ND	13402	\$262.95	3	10000/6000	CURT	85-91	HT41115	\$26.95 P,BS	
03-06		RT	ND	13422	\$268.95	3	10000/6000	CURT	92-99	HT41125	\$25.95 P,BS
							2,400 TW! ND 15324 \$361.95 5 17000/16000 CURT 00-24 U.S. Car options: page 117				

Chevrolet/GMC Vans & SUV's continued on next page

Hitch Guide Footnotes	Electrical Guide Footnotes*
AS- Support Strap #HAAS22 (page 22) required on non-trailer loads HE- Hole Enlargement HG- Horizon Global NBS- New Body Style OBS- Old Body Style Put- Putnam RT- Round Cross Tube WB- Wheel base AWD- All Wheel Drive ND- No Drilling *Class 1 & 2 hitches include a 1 1/4" ball mount and a 1/2" pin & clip. *Class 2.5, 3, 4 & 5 hitches do NOT include a 2" square ball mount and a 3/8" pin & clip.	U - Universal Splice kit P - Plug-in-simple kit BS - basic system, no converter needed RC - regular converter included PC - Power Converter and tow vehicle protection device included. Requires installation of battery feed wire PC2 - Same as PC but no battery wire install needed ZCI - Zero Contact Interface; see page 115 B - Plug stored interior of vehicle

Vehicle	Drill	ITEM#	Price	Cls	GTW Rating	Mfg	Year	ITEM#	Price	Code*	
Chevrolet/GMC Vans & SUV's, cont.							Electrical				
Traverse							09-12	HT18450	\$36.95	P,BS	
09-17		Main body concealed, AS	ND 13424	\$219.95	3	6000/5000	CURT	13-17	HT18270	\$44.95	P,BS
18-23	Temporary bumper removal	Main body concealed, 750TW	ND 13433	\$254.95	3	5000/5000	CURT	18-23	HT18761	\$34.95	P,BS
							Provides 7RV				
							13-17	HT18271	\$77.95	P,BS	
							18-23	HT18287	\$49.95	P,BS	
Trax							13-16	HT18659	\$103.95	P,PC	
15-22		RT, AS	HE 115273	\$312.95	1	2,000	CURT	LS			
							17-22	HT18659	\$103.95	P,PC	
							Except LS				
							17-22	HT18751	\$78.95	P,PC	
Terrain											
10-17		AS	ND 122913	\$283.95	2	3500	CURT	10-17	HT56094	\$34.95	P,BS
		RT	ND 13591	\$193.95	3	4000/3500	CURT	Without factory tow prep package			
18-24	Except diesel	675 TW!	HE 13439	\$219.95	3	4500/4500	CURT	18-24	HT18764	\$83.95	P,PC
Uplander											
05-08			13344	\$273.95	3	6000/4000	CURT	05-09	HT18396	\$45.95	P,BS
Van Full Size							Provides 7RV				
96-24	Express/Savana, No Cutaway Models	Main Body Exposed	ND 13040	\$198.95	3	10000/6000	CURT	03-23	HT22131	\$279.95	P, PC
	Express/Savanna, No Cutaway Models	Main Body Exposed	ND 14090	\$301.67	4	12000/10000	CURT	Savanna, Express Van			
	Express/Savana, No Cutaway Models	Main Body Exposed, 2,400 TW!	ND 15320	\$361.95	5	17000/16000	CURT	96-99	HT43125	\$50.95	P,RC
							00-02	HT41335	\$54.95	P,RC,B	
							1500				
							03-14	HT18392	\$43.95	P,BS	
							03-16	HT41345	\$94.95	P,PC	
							2500-3500				
							03-24	HT18392	\$43.95	P,BS	
							03-21	HT41345	\$94.95	P,PC	
							08-24	With factory 7RV see page 117			
Venture											
97-07			13344	\$273.95	3	6000/4000	CURT	97-05	HT18355	\$46.95	P,RC,B
Chevrolet/GMC Pickup							Electrical				
Avalanche P/U											
2002			ND 13402	\$262.95	3	10000/6000	CURT	02-13	U.S. Car options: page 117		
03-06			RT ND 13422	\$268.95	3	10000/6000	CURT				
		2,400 TW!	ND 15324	\$361.95	5	17000/16000	CURT				
Colorado/Canyon							Without Tow Pkg				
04-12			RT ND 13252	\$245.95	3	6000/4000	CURT	04-12	HT41165	\$43.95	P,RC
15-22		Minor Modifications Required, 800 TW!	ND 13176	\$245.95	3	10000/ 8000	CURT	08-12	With factory 7RV see page 117		
								15-24	With factory 7RV see page 117		
S-10/S-15/Sonoma Pickup							85-97	HT41115	\$26.95	P,BS	
83-04	No Roll Pan Bumper		ND 13021	\$268.95	3	6000/4000	CURT	98-04	HT41135	\$32.95	P,BS

Chevrolet/GMC Pickups continued on next page

Hitch & Electrical Applications



Vehicle	Drill	ITEM#	Price	Cls	GTW Rating	Mfg	Year	ITEM#	Price	Code*	
Chevrolet/GMC Pickups, cont.							Electrical				
Full Size Pickup (Factory bed only, page 174 for Cab & Chassis)											
62-87 Except 10" Step Bumper		13028	\$268.95	3	10000/6000	CURT	68-84	HT41105	\$25.95	P,BS	
73-87 Long Bed only		25122	\$329.00	5	16000/16000	BW	85-87	HT41115	\$26.95	P,BS	
1500 (Factory bed only, see page 174 for Cab & Chassis)											
88-99 1500 (99 Old Body Style)	ND	13042	\$262.95	3	10000/6000	CURT	Old Body Style (C/K)				
1500 (99 Old Body Style)	ND	25124	\$329.00	5	16000/16000	BW	99-00	HT41125	\$25.95	P,BS	
99-07 1500 Silverado/Sierra (Except SS) ('07 Old Body Style only)	ND	13332	\$251.95	3	10000/6000	CURT	Provides 7RV (Includes 4-flat adapter) 1500 Silverado, Sierra				
	ND	14332	\$342.95	4	12000/10000	CURT					
99-18 1500 Silverado/Sierra	ND	25217	\$329.00	5	16000/16000	BW	99-02	HT41145	\$41.95	U,BS	
07-19 1500, ('07 New Body Style only) (19 LD/limited only), Remove OEM bumper mount	ND	13301	\$238.95	3	10000/6000	CURT	1500/2500/3500 (new body style)				
	ND	14301	\$283.95	4	12000/10000	CURT	99-24	U.S. Car options: page 117			
14-19 1500 (19 LD/limited only), Main body concealed	ND	13175	\$268.95	3	10000/6000	CURT					
19-24 1500 (Except LD/limited) Without factory receiver	ND	13393	\$238.95	3	10000/6000	CURT					
2500 (Factory bed only, see page 174 for Cab & Chassis)											
88-00 2500 (No Silverado/Sierra)	ND	13042	\$262.95	3	10000/6000	CURT					
2500 (No Silverado/Sierra)	ND	25124	\$329.00	5	16000/16000	BW					
99-04 2500 Silverado/Sierra (Except 01-04 HD)	ND	13332	\$251.95	3	10000/6000	CURT					
	ND	14332	\$342.95	4	12000/10000	CURT					
	ND	25217	\$329.00	5	16000/16000	BW					
01-10 2500HD, Short bed	ND	25182	\$329.00	5	16000/16000	BW					
2500HD, Short bed 2,400 TW! Factory Replacement	ND	15302	\$409.95	5	17000/16000	CURT					
2500HD, Long Bed	ND	25189	\$329.00	5	16000/16000	BW					
2500HD, Long Bed 2,400 TW! Factory Replacement	ND	15312	\$409.95	5	17000/16000	CURT					
2500HD 2,700 TW! 2½" receiver	ND	15703	\$453.95	5	18000/18000	CURT					
2500 (Factory bed only, see page 174 for Cab & Chassis)											
11-18 2500HD, Long bed	ND	25600	\$329.00	5	16000/16000	BW					
11-19 2500HD, Short bed	ND	25601	\$329.00	5	16000/16000	BW					
2500HD 2550 TW!		15460	\$517.95	5	17000/17000	CURT					
2500HD 2,700TW! 2½" receiver		15860	\$547.95	5	20000/20000	CURT					
20-24 2500HD Without factory receiver 2550 TW!	ND	15007	\$507.95	5	17000/17000	CURT					
2500HD Without factory receiver 2,700TW! 2½" receiver	ND	15010	\$507.95	5	20000/20000	CURT					

Chevrolet/GMC Pickups continued on next page



13055

Hitch Guide Footnotes	Electrical Guide Footnotes*
AS- Support Strap #HAAS22 (page 22) required on non-trailer loads HE- Hole Enlargement HG- Horizon Global NBS- New Body Style AWD- All Wheel Drive OBS- Old Body Style Put- Putnam RT- Round Cross Tube ND- No Drilling •Class 1 & 2 hitches include a 1¼" ball mount and a ½" pin & clip. •Class 2.5, 3, 4 & 5 hitches do NOT include a 2" square ball mount and a ¾" pin & clip.	U - Universal Splice kit P - Plug-in-simple kit BS - basic system, no converter needed RC - regular converter included PC - Power Converter and tow vehicle protection device included. Requires installation of battery feed wire PC2 - Same as PC but no battery wire install needed ZCI - Zero Contact Interface; see page 115 B - Plug stored interior of vehicle

Vehicle	Drill	ITEM#	Price	Cls	GTW Rating	Mfg	Year	ITEM#	Price	Code*	
Chevrolet/GMC Pickups, cont.							Electrical				
3500 (Factory bed only, see page 174 for Cab & Chassis)							See previous page for Chevrolet/GMC pickup wiring				
88-00		3500 (No Silverado/Sierra)(No 88-91 4-door crew cab)	ND 13042	\$262.95	3	10000/6000	CURT				
		3500 (No Silverado/Sierra)	ND 25124	\$329.00	5	16000/16000	BW				
01-10		3500HD, Short bed	ND 25182	\$329.00	5	16000/16000	BW				
		3500HD, Short bed 2,400 TW! Factory Replacement	ND 15302	\$409.95	5	17000/16000	CURT				
		3500HD, Long Bed	ND 25189	\$329.00	5	16000/16000	BW				
		3500HD, Long Bed 2,400 TW! Factory Replacement	ND 15312	\$409.95	5	17000/16000	CURT				
		3500HD 2,700 TW! 2½" receiver	ND 15703	\$453.95	5	18000/18000	CURT				
11-18		3500HD, Long bed	ND 25600	\$329.00	5	16000/16000	BW				
11-19		3500HD, Short bed	ND 25601	\$329.00	5	16000/16000	BW				
		3500HD 2,550 TW!	15460	\$517.95	5	17000/17000	CURT				
		3500HD 2,700 TW! 2½" receiver	15860	\$547.95	5	20000/20000	CURT				
20-24		3500HD Without factory receiver 2550 TW!	ND 15007	\$507.95	5	17000/17000	CURT				
		3500HD Without factory receiver 2,700TW! 2½" receiver	ND 15010	\$507.95	5	20000/20000	CURT				
Chrysler Vans & SUV's							Electrical				
Aspen							04-09	HT42245	\$63.95	P,RC,B	
07-09		RT ND 13296	\$283.95	3	10000/6000	CURT	Early 07	HT42145	See page 116		
							07-09	U.S. Car options: page 117			
Pacifica							With LED taillights				
17-21		Excludes Hybrid, Main Body Concealed, Under car trimming, RT ND 13462	\$245.95	3	5000/4000	CURT	17-20	HT56322	\$112.95	P,PC	
							Without LED taillights				
							17-20	HT56399	\$94.95	P,PC	
							21-24	HT56492	\$85.95	P,PC	
Town & Country/Voyager											
96-07		Except stow-n-go or Sport	13362	\$262.95	3	5000/4000	CURT	91-95	HT42205	\$49.95 P,BS,B	
04-07		Stow-N-Go, AS ND 13389	\$361.95	3	4000/3500	CURT	96-00	HT18334	\$54.95 P,RC,B		
08-16		Trimming may be required, AS ND 122643	\$305.95	2	3500	CURT	04-07	HT42235	\$44.95 P,BS		
		Trimming may be required ND 13364	\$201.95	3	5000/4000	CURT	08-10	HT56333	\$74.95 P,PC		
20-24		Minor facial trim Main Body Exposed, ND, RT HE 13383	\$251.95	3	5000/4000	CURT	11-16	HT18534	\$86.95 P,PC		



Dodge Vans & SUV's								Electrical				
Caravan, Grand Caravan								91-95	HT42205	\$49.95	P,BS,B	
96-07	Except Stow-n-Go or Sport		13362	\$262.95	3	5000/4000	CURT	96-00	HT18334	\$54.95	P,RC,B	
04-07	Stow-n-Go	ND	13389	\$361.95	3	4000/3500	CURT	04-07	HT42235	\$44.95	P,BS	
08-20		AS	ND	122643	\$305.95	2	3500	CURT	08-10	HT56333	\$74.95	P,PC
			ND	13364	\$201.95	3	5000/4000	CURT	11-20	HT18534	\$86.95	P,PC
C/V Cargo Van												
12-16		AS	ND	122643	\$305.95	2	3500	CURT	12-15	HT18534	\$86.95	P,PC
			ND	13364	\$201.95	3	5000/4000	CURT				
Durango												
98-03		ND	13097	\$268.95	3	8000/5000	CURT	98-03	HT18334	\$54.95	P,RC	
04-06		RT	ND	13297	\$273.95	3	9000/6000	CURT	04-09	HT42245	\$63.95	P,RC,B
07-09		RT	ND	13296	\$283.95	3	10000/6000	CURT	11-13	HT56333	\$74.95	P,PC
11-24	Except SRT	ND	13182	\$215.95	3	7500/6000	CURT	14-23	HT18617	\$88.95	P,PC	
	<i>Wil not fit with full size spare, RT</i>							With Factory 7RV (early 07)				
								00-07	HT42145	See page 116		
								With Factory 7RV (late 07)				
								07-24 U.S. Car options: page 117				
Journey								With Factory 7RV				
09-20		RT	ND	13201	\$245.95	3	4000/4000	CURT	09-10	U.S. Car options: page 117		
								With LED tail lights				
								11-20	HT18536	\$89.95	P,PC	
Nitro								07-11	HT18554	\$99.95	P,PC	
07-11		RT	ND	13334	\$245.95	3	5000/3500	CURT	With Factory 7RV			
								07-11 U.S. Car options: page 117				
Promaster												
14-24	1500/2500/3500	ND	13295	\$225.95	3	5000	CURT	14-23	HT18618	\$113.95	P,PC	
Promaster City												
15-22	<i>Main body concealed, temporary bumper removal</i>	ND	13215	\$262.95	3	3500	CURT	15-23	HT18719	\$88.95	P,PC	
Sprinter 2500												
03-06	118"/140"WB with single rear wheels, 158"WB require brace removal, 118" requires spare tire relocation		14250	\$372.95	4	12000/10000	CURT	07-13	HT18650	\$103.95	P,PC	
								With Factory 7RV				
07-09	Standard bumper	ND	13388	\$327.95	3	10000/6000	CURT	03-09	HT18381	See page 116		
07-09	Step bumper	ND	13358	\$342.95	3	7500/5000	CURT	03-09	HT42145	See page 116		
Sprinter 3500												
03-06	118" and 140" WB with single rear wheels, 158" WB		14250	\$372.95	4	12000/10000	CURT					
07-09	Standard bumper	ND	13388	\$327.95	3	10000/6000	CURT					
07-09	Step bumper, 170" WB	ND	13358	\$342.95	3	7500/5000	CURT					
07-09	Step bumper, 144" WB	ND	13375	\$327.95	3	7500/5000	CURT					

Hitch Guide Footnotes	Electrical Guide Footnotes*
AS- Support Strap #HAAS22 (page 22) required on non-trailer loads HE- Hole Enlargement HG- Horizon Global NBS- New Body Style OBS- Old Body Style Put- Putnam RT- Round Cross Tube AWD- All Wheel Drive ND- No Drilling WB- Wheel base *Class 1 & 2 hitches include a 1 1/4" ball mount and a 1/2" pin & clip. *Class 2.5, 3, 4 & 5 hitches do NOT include a 2" square ball mount and a 5/8" pin & clip.	U - Universal Splice kit BS - basic system, no converter needed PC - Power Converter and tow vehicle protection device included. Requires installation of battery feed wire PC2 - Same as PC but no battery wire install needed ZCI - Zero Contact Interface; see page 115 P - Plug-in-simple kit RC - regular converter included B - Plug stored interior of vehicle



Hitch & Electrical Applications

Vehicle	Drill	ITEM#	Price	Cls	GTW Rating	Mfg	Year	ITEM#	Price	Code*	
Dodge & Ram Pickups							Electrical				
Dakota Pickup							87-94	HT42105	\$39.95	P,BS	
87-04		97-04 is ND	13280	\$268.95	3	8000/5000	CURT	95-03	HT42115	\$39.95 P,BS	
05-11	OEM Style	ND	13229	\$193.95	3	5500/5000	CURT	04-11	HT42205	\$49.95 P,BS,B	
							With factory 7RV				
							00-10	HT42145	See page 116		
Full Size Ram Pickup 1500/2500/3500 (Factory bed only, page 174 for Cab & Chassis)											
68-02	Except 02 1500		13310	\$245.95	3	10000/6000	CURT	87-94	HT42105	\$39.95 P,BS	
			14001	\$297.95	4	12000/10000	CURT	95-01	HT42115	\$39.95 P,BS	
72-93			25122	\$329.00	5	16000/16000	BW	07-09	HT42205	\$49.95 P,BS,B	
94-02	Except 02 1500	ND	25132	\$329.00	5	16000/16000	BW				
	2500/3500, Except 99-02 Long Bed	2400 TW!	HE 15318	\$372.95	5	17000/16000	CURT				
1500 (Factory bed only, page 174 for Cab & Chassis)							1500				
2002	Built before Nov. 2002, OEM style	ND	13326	\$160.95	3	10000/5000	CURT	02-06	HT42135	\$63.95 P,RC	
03-08	Built after Oct. 2002, No factory receiver	ND	13361	\$350.95	3	10000/6000	CURT	With factory 7RV			
	Built after Oct. 2002 Fits under factory receiver, 2,550 TW!	ND	15409	\$475.95	5	17000/17000	CURT	00-08	HT42145	See page 116	
		ND	25211	\$329.00	5	16000/16000	BW	09-24	U.S. Car options: page 117		
03-18	Built after Oct. 2002, No factory receiver	OEM Style	ND 13333	\$141.95	3	10000/6000	CURT				
19-24	Classic, No factory receiver	OEM style	ND 13333	\$141.95	3	10000/6000	CURT				
	Classic, No factory receiver	RT	ND 13374	\$286.95	3	10000/6000	CURT				
	Classic, No factory receiver	RT	ND 14374	\$361.95	4	12000/10000	CURT				
19-24	New body style, With factory bumper hitch, No 2" factory receiver	ND	13419	\$122.95	3	6000	CURT				
	New body style	ND	15005	\$409.95	5	17000/15000	CURT				
2500 & 3500 (Factory bed only, see page 174 for Cab & Chassis)							2500 & 3500				
03-13			25211	\$329.00	5	16000/16000	BW	2002	HT42115	\$39.95 P,BS	
	No factory receiver, OEM Style	ND	13333	\$141.95	3	10000/6000	CURT	03-06	HT42135	\$63.95 P,RC	
11-13	Fits under factory receiver	2,550 TW!	ND 15409	\$475.95	5	17000/17000	CURT				
	Fits under factory receiver, 2½" Receiver	2,700 TW!	ND 15809	\$547.95	5	20000/20000	CURT	With factory 7RV			
03-24	No factory receiver	ND	13361	\$350.95	3	10000/6000	CURT	00-09	HT42145	See page 116	
14-17	Fits under factory receiver, 2½" Receiver	2,700 TW!	ND 15803	\$464.95	5	20000/20000	CURT	10-24	U.S. Car options: page 117		
14-18	Long bed	ND	25501	\$329.00	5	16000/16000	BW				
14-24	Short bed	ND	25502	\$329.00	5	16000/16000	BW				
19-24	Long bed	ND	25503	\$329.00	5	16000/16000	BW				
Ford Cars							Electrical				
Five Hundred											
05-07	Sedan		13542	\$286.95	3	4000/3500	CURT	05-07	HT18395	\$34.95 P,BS,B	
Fusion											
13-20	Except Sport	ND	120913	\$223.95	2	3500	CURT	13-20	HT18574	\$77.95 P,PC,B	
Taurus							Sedan				
08-09	Except Taurus X, Sedan	ND	13542	\$286.95	3	4000/3500	CURT	10-19	HT56093	\$63.95 P,PC,B	
10-19		Main body concealed	HE 13379	\$297.95	3	4000	CURT	Wagon			
								96-01	HT46155	\$40.95 U,RC	

Hitch & Electrical Applications



Vehicle	Drill	ITEM#	Price	Cls	GTW Rating	Mfg	Year	ITEM#	Price	Code*	
Ford Vans & SUV's							Electrical				
Bronco Full Size							80-86	HT40115	\$25.95	P,BS	
78-97		Main Body Concealed 600 TW!	13310	\$245.95	3	10000/6000	CURT	With LED taillights			
21-24		Without factory hitch, Main Body Concealed 350 TW!	ND 13493	\$126.95	3	4000/3500	CURT	21-24	HT56468	\$89.95	P,PC
								Without LED taillights			
								21-24	HT56471	\$94.95	P,PC
Bronco Sport											
21-24		Main Body Concealed, Minor fascia trim, 525TW	ND 13474	\$230.95	3	3500	CURT	21-24	HT56462	\$112.95	P,PC
Econoline Full Size Van											
92-99			14053	\$350.95	4	12000/10000	CURT	92-94	HT18343	\$54.95	P,RC
			13053	\$262.95	3	7500/5000	CURT	95-03	HT18344	\$31.95	P,BS
00-14		RT, (E-150 need to drill)	ND 13055	\$262.95	3	8000/6000	CURT	04-14	HT56020	\$45.95	P,BS,B
		(E-150 need to drill)	ND 14055	\$350.95	4	12000/10000	CURT	O.E.M. 7RV replacement see page 117			
Edge							07-10	HT18551	\$95.95	P,PC,B	
07-14		Fits under 1¼" receiver, Under car trimming required, AS	13067	\$273.95	3	4000	CURT	11-14	HT56120	\$82.95	P,PC,B
15-24		Main Body Concealed, Minor modifications required, 675 TW!	ND 13452	\$268.95	3	4500/4500	CURT	Except Titanium & Sport			
15-24		Main Body Exposed, Under car trimming required, RT, 600 TW!	ND 13234	\$238.95	3	4000	CURT	15-18	HT18669	\$88.95	P,PC
								Titanium & Sport			
								15-18	HT18677	\$88.95	P,PC
								Except Titanium			
								19-24	HT18805	\$109.95	P,PC
Escape							01-04	HT40315	\$80.95	P,PC,B	
05-12		Without 1¼" factory receiver RT	13650	\$286.95	3	5000/3500	CURT	05-07	HT18426	\$79.95	P,PC
13-19		Except S Main Body Exposed, RT, 525 TW!	HE 13131	\$275.95	3	5000/3500	CURT	08-12	HT18551	\$95.95	P,PC,B
		Main Body Concealed, Under car trimming required	HE 13186	\$301.95	3	5000/3500	CURT	13-16	HT18566	\$89.95	P,PC
20-24		Except PHEV 525 TW!	HE 13454	\$286.95	3	3500	CURT	17-18	HT18715	\$89.95	P,PC,B
								2019	HT18802	\$83.95	P,PC
								20-22	HT18816	\$98.95	P,PC,B
Excursion							00-03	HT18344	\$31.95	P,BS	
00-05		Removal of OEM hitch required	ND 14011	\$454.95	4	12000/12000	CURT	With factory 7RV tow package			
								00-05	U.S. Car options: page 117		

Ford Vans & SUV's continued on next page

Hitch Guide Footnotes	Electrical Guide Footnotes*
AS- Support Strap #HAAS22 (page 22) required on non-trailer loads HE- Hole Enlargement HG- Horizon Global NBS- New Body Style OBS- Old Body Style Put- Putnam RT- Round Cross Tube AWD- All Wheel Drive ND- No Drilling WB- Wheel base *Class 1 & 2 hitches include a 1¼" ball mount and a ½" pin & clip. *Class 2.5, 3, 4 & 5 hitches do NOT include a 2" square ball mount and a ¾" pin & clip.	U - Universal Splice kit P - Plug-in-simple kit BS - basic system, no converter needed RC - regular converter included PC - Power Converter and tow vehicle protection device included. Requires installation of battery feed wire PC2 - Same as PC but no battery wire install needed ZCI - Zero Contact Interface; see page 115 B - Plug stored interior of vehicle

Vehicle	Drill	ITEM#	Price	Cls	GTW Rating	Mfg	Year	ITEM#	Price	Code*	
Ford Vans & SUV's, cont.							Electrical				
Explorer							02-05	HT40335	\$22.95	P,BS,B	
91-01	With 16" spare,	RT ND	13540	\$262.95	3	6000/4000	CURT	11-19	HT18540	\$55.95 P,BS	
06-10	Fits beneath OEM 1¼" receiver, RT	ND	13112	\$273.95	3	8000/5000	CURT	20-23	HT18599	\$67.95 P,PC,B	
11-19	RT, Main body exposed	ND	13386	\$204.95	3	5000/4000	CURT	With amber turn signals			
20-24	Minor fascia & under car trimming required	ND	13438	\$254.95	3	6000	CURT	95-00	HT40315	\$80.95 P,PC,B	
								Without amber turn signals			
								With tow package			
								95-01	HT40915	\$19.95 P,BS	
								Provides 7RV			
								11-19	HT18272	\$76.95 P,BS	
								With factory 7RV			
								02-24	U.S. Car options: page 117		
Flex											
09-20	With Dual Exhaust	RT ND	13110	\$320.95	3	4000/4000	CURT	09-20	HT18472	\$48.95 P,BS	
Freestyle SUV											
05-07			13542	\$286.95	3	4000/3500	CURT	05-07	HT18395	\$34.95 P,BS,B	
Transit 150/250/350											
15-24	Main body exposed	RT, 900 TW!	ND 13193	\$245.95	3	8000/6000	CURT	Without tow package (Except 350HD)			
	Main body concealed	HE	14012	\$268.95	4	10000/8000	CURT	15-23	HT18643	\$89.95 P,PC	
								Without tow package (Except 350HD)			
								Provides 7RV & brake control connector			
								15-23	HT22114	\$189.95 P,PC	
								With factory 7RV			
								15-24	U.S. Car options: page 117		
Transit Connect											
10-13	Except Electric Models	RT ND	13076	\$273.95	3	4000/3500	CURT	10-13	HT56090	\$94.95 P,PC,B	
14-23	RT, 525 TW!	ND	13167	\$262.95	3	4000/3500	CURT	14-23	HT18613	\$88.95 P,PC	
Ford Pickups							Electrical				
Ranger							1985	HT40115	\$25.95	P,BS	
83-11	(00-05 are ND)		13019	\$230.95	3	6000/4000	CURT	86-92	HT40205	\$24.95 P,BS	
19-23	900 TW!	ND	13417	\$201.95	3	8000/6000	CURT	93-99	HT40215	\$42.95 P,RC	
								00-10	HT40655	\$38.95 P,BS	
								2011	HT56014	\$41.95 P,BS	
								With tow package			
								98-99	HT40915	\$19.95 P,BS	
								Provides 7RV			
								19-23	HT22124	\$97.95 P,BS	
Full Size pickups (Factory bed only, page 174 for Cab & Chassis)											
67-98	Old style only		25122	\$329.00	5	16000/16000	BW	80-86	HT40115	\$25.95 P,BS	
73-98	Old style only, Except 73-79 F-250 Crew Cab		13310	\$245.95	3	10000/6000	CURT	87-96	HT40125	\$25.95 P,BS	
			14001	\$297.95	4	12000/10000	CURT				

Ford Pickups continued on next page



Vehicle	Drill	ITEM#	Price	Cls	GTW Rating	Mfg	Year	ITEM#	Price	Code*	
Ford Pickups continued							Electrical				
F150/250 Light Duty Only (Factory bed only, page 174 for Cab & Chassis)							F150/250 LD Mfg 1/96 - 10/96				
97-04	97-98 NBS, 04 Heritage OBS only	RT ND	13359	\$251.95	3	10000/6000	CURT	1997	HT40135	\$21.95 P,BS	
	97-98 NBS, 04 Heritage OBS only	ND	14355	\$349.95	4	12000/10000	CURT	Mfg after 10/96 ('04 regular cab only)			
04-05	F-150 NBS, Without factory hitch	ND	13357	\$365.95	3	10000/6000	CURT	97-04	HT40145	\$36.95 P,BS	
06-08	F150, Without factory hitch. Mfg after 8/5/05	ND	13360	\$230.95	3	10000/6000	CURT	04NBS	HT40175	\$36.95 P,BS	
09-14	F150, Without factory hitch	RT ND	13371	\$215.95	3	11000/6000	CURT	05-08	HT40185	\$36.95 P,BS	
15-23	F150, Without factory hitch, Except Police Responder	900 TW! ND	13475	\$238.95	3	10000/6000	CURT	Without tow package			
21-23	F150, Without factory hitch, Except Police Responder	900 TW! ND	13475	\$238.95	3	10000/6000	CURT	10-19	HT56110	\$27.95 P, BS	
15-23	F150	Main body exposed ND	14021	\$327.95	4	12000/10000	CURT	Provides 7RV			
								97-04	HT18242	\$81.95 P,BS	
								15-20	HT18283	\$83.95 P,BS	
								With factory 7RV			
								99-24	U.S. Car options: page 117		
F250/350/450 Super Duty Only (Factory bed only, page 174 for Cab & Chassis)							F250, F350				
99-10	Super Duty, Fits up to 18" spare	ND	25230	\$329.00	5	16000/16000	BW	99-01	HT40155	\$22.95 P,BS	
99-16	Super Duty	RT ND	13359	\$251.95	3	10000/6000	CURT	02-04	HT40165	\$22.95 P,BS	
	Super Duty	ND	14355	\$349.95	4	12000/10000	CURT	05-07	HT40195	\$35.95 P,BS	
	Super Duty	2550 TW! ND	15410	\$427.95	5	17000/17000	CURT	Provides 7RV			
99-16	Super Duty	2 1/2" receiver, 2700 TW! ND	15810	\$507.95	5	20000/20000	CURT	F250/350/450/550 SD with Factory 4-flat			
11-16	Super Duty	ND	25401	\$329.00	5	16000/16000	BW	99-01	HT18243	\$67.95 P,BS	
17-22	Super Duty	ND	25602	\$329.00	5	16000/16000	BW	With factory 7RV			
17-24	Super Duty	2 1/2" receiver, 2700 TW! ND	15802	\$557.95	5	20000/20000	CURT	99-24	U.S. Car options: page 117		
								Without US Car Connector			
								20-24	HT56443	see page 116	
Freightliner											
Sprinter											
03-06	118/140"WB w/ single rear wheels, 158"WB require brace removal, 118" requires spare tire relocation		14250	\$372.95	4	12000/10000	CURT	07-13	HT18650	\$103.95 P,PC	
								14-18	HT18649	\$103.95 P,PC	
								19-21	HT18876	\$116.95 P,PC	
Sprinter 2500							Provides 7RV & brake control connector				
07-21	Cargo van with standard bumper	ND	13388	\$327.95	3	10000/6000	CURT	19-23	HT22129	\$327.95 P,PC	
	Cargo van with factory step bumper	ND	13358	\$342.95	3	7500/5000	CURT				
Sprinter 3500											
07-21	Cargo van with standard bumper	ND	13388	\$327.95	3	10000/6000	CURT				
07-20	Cargo van, 144" WB with factory step bumper	ND	13375	\$327.95	3	7500/5000	CURT				
07-21	Cargo van, 170" WB with factory step bumper	ND	13358	\$342.95	3	7500/5000	CURT				

Hitch Guide Footnotes	Electrical Guide Footnotes*
AS- Support Strap #HAAS22 (page 22) required on non-trailer loads HE- Hole Enlargement HG- Horizon Global NBS- New Body Style OBS- Old Body Style Put- Putnam RT- Round Cross Tube AWD- All Wheel Drive ND- No Drilling WB- Wheel base *Class 1 & 2 hitches include a 1 1/4" ball mount and a 1/2" pin & clip. *Class 2.5, 3, 4 & 5 hitches do NOT include a 2" square ball mount and a 3/8" pin & clip.	U - Universal Splice kit P - Plug-in-simple kit BS - basic system, no converter needed RC - regular converter included PC - Power Converter and tow vehicle protection device included. Requires installation of battery feed wire PC2 - Same as PC but no battery wire install needed ZCI - Zero Contact Interface; see page 115 B - Plug stored interior of vehicle

Vehicle	Drill	ITEM#	Price	Cls	GTW Rating	Mfg	Year	ITEM#	Price	Code*	
Honda Cars							Electrical				
Accord							94-02	HT43105	\$41.95	P,RC,B	
13-17	Coupe & Sedan	ND	116813	\$234.95	1	2000	CURT	Wagon			
18-22	Sedan, Except hybrid	RT	115253	\$266.95	1	2000	CURT	94-97	HT43105	\$41.95 P,RC,B	
								Sedan & Coupe			
								08-12	HT18420	\$57.95 P,RC,B	
								Sedan & Coupe (No LED Taillights)			
								13-15	HT56011	\$49.95 P,PC2,B	
Honda Vans & SUV's							Electrical				
CR-V											
02-06		AS ND	13535	\$254.95	3	3500	CURT	97-06	HT43105	\$41.95 P,RC,B	
07-11		RT, AS ND	13555	\$268.95	3	3500	CURT	07-11	HT18427	\$43.95 P,RC,B	
12-16		Under-car trimming required, RT, AS ND	13119	\$193.95	3	3500	CURT	12-16	HT56158	\$55.95 P,PC2,B	
17-24		Minor fascia trimming required, 525 TW! ND	13397	\$193.95	3	3500	CURT	17-22	HT18741	\$51.95 P,PC2,B	
HR-V											
16-22		Under-car trimming required, RT, AS ND	114163	\$253.95	1	2000	CURT	16-22	HT56284	\$63.95 P,RC,B	
Odyssey											
95-04								95-04	HT43105	\$41.95 P,RC,B	
99-17		RT ND	13068	\$230.95	3	5000/3500	CURT	05-10	HT18438	\$55.95 P,PC2,B	
18-24		Main body exposed, RT, 525 TW! ND	13370	\$230.95	3	5000/3500	CURT	11-17	HT56378	\$59.95 P,PC2,B	
								18-23	HT56382	\$51.95 P,PC2,B	
Passport											
19-24		Main body concealed, 750 TW! ND	13421	\$286.95	3	6000/5000	CURT	Provides 4 Flat			
								19-24	HT18760	\$75.95 P,PC2, B	
								Provides 7RV			
								19-24	HT18286	\$102.95 P, PC, B	
Pilot											
03-08								03-08	HT43105	\$41.95 P,RC,B	
01-08		ND	13328	\$268.95	3	5000/3500	CURT	09-11	HT18491	\$79.95 P,PC2	
16-22		900 TW! ND	13146	\$275.95	3	8000/6000	CURT	12-15	HT18558	\$109.95 P,PC2	
								16-22	HT18760	\$75.95 P,PC2	
								Provides 7RV			
								09-11	HT18253	\$109.95 P,PC2	
								12-15	HT18265	\$142.95 P,PC2	
								16-22	HT18286	\$102.95 P,PC2	
Ridgeline											
06-14		ND	13385	\$301.95	3	6000/5000	CURT	06-14	HT43125	\$50.95 P,RC	
Hyundai Cars, Vans, & SUV's							Electrical				
Entourage											
07-09		RT ND	13345	\$312.95	3	4000/3500	CURT	07-09	HT18410	\$89.95 P,PC	
Palisade											
20-24		RT, 750 TW! ND	13427	\$286.95	3	6000/5000	CURT	20-22	HT18784	\$67.95 P,PC2	
								23-24	HT56491	\$94.95 P,PC	
Santa Fe											
10-12		Under car trimming required, RT ND	13073	\$238.95	3	3500	CURT	07-12	HT18415	\$57.95 P,RC,B	
13-18	Sport	900 TW! ND	13152	\$245.95	3	8000/6000	CURT	With factory tow package, 19 XL only			
	Except Sport	900 TW! ND	13153	\$268.95	3	8000/6000	CURT	13-19	HT18269	\$67.95 P,RC	
19-20		750TW, RT ND	13195	\$275.95	3	5000	CURT	Except XL models			
21-23		600 TW! ND	13473	\$256.95	3	4000	CURT	19-23	HT18784	\$67.95 P,RC	

Hyundai Cars, Vans, & SUV's continued on next page

Hitch & Electrical Applications



Vehicle	Drill	ITEM#	Price	Cls	GTW Rating	Mfg	Year	ITEM#	Price	Code*		
Hyundai Cars, Vans, & SUV's cont.							Electrical					
Santa Cruz												
22-24		Main body concealed, 750 TW!	ND	13486	\$312.95	3	5000	CURT	22-24	HT18784	\$67.95 P,RC	
Tucson												
04-09			ND	13526	\$251.95	3	3500	CURT	05-09	HT43815	\$56.95 P,RC,B	
10-15		Main body concealed, AS	ND	13066	\$219.95	3	3500	CURT	10-18	HT18501	\$87.95 P,PC,B	
16-21	Except Night	525 TW!	ND	13240	\$238.95	3	3500	CURT	19-21	HT18812	\$109.95 P,PC,B	
22-24		Main body concealed, 525 TW!	ND	13485	\$275.95	3	3500	CURT	22-24	HT18784	\$67.95 P,RC	
Veracruz												
07-12			ND	13545	\$361.95	3	3500	CURT	07-12	HT18269	\$67.95 P,PC2	
Infiniti SUV's							Electrical					
QX4												
97-03			RT	ND	25140	\$185.95	3	5000/5000	Put			
QX60												
14-20		Minor Fascia Trim, 600 TW!	ND	13126	\$225.95	3	5000/4000	CURT	14-20	HT18670	\$108.95 P,BS	
Isuzu							Electrical					
I-280, I-290, I-350, I-370												
06-08	(I-280 & I-350 fits 2006 only)(I-290 & I-370 fits '07-'08 only)		RT	ND	13252	\$245.95	3	6000/4000	CURT	06-08	HT41165	\$43.95 P,RC
Hombre												
96-00			ND	13021	\$268.95	3	6000/4000	CURT	96-97	HT41115	\$26.95 P,BS	
Jeep							Electrical					
Commander												
06-10	Excludes Rocky Mountain Edition		ND	13414	\$193.95	3	7500/5000	CURT	06-10	HT18408	\$77.95 P,RC	
Compass												
11-17	('17 -11 th digit of VIN is "D")	Minor Fascia Trim, AS	ND	13081	\$225.95	3	4000	CURT	11-17	HT18539	\$97.95 P,PC	
17-24	('17 1 st digit of VIN is "3")	Minor Fascia Trim, 600 TW!	HE	13363	\$262.95	3	4000	CURT	17-21	HT56369	\$94.95 P,PC	
Cherokee, Wagoneer												
84-01			ND	13084	\$254.95	3	6000/5000	CURT	83-90	HT46155	\$40.95 U,RC	
14-18		Minor Fascia Trim, 750 TW!	ND	13172	\$245.95	3	6000/5000	CURT	91-96	HT42455	\$32.95 P,RC	
19-23		Under car trimming required, 675 TW!	ND	13395	\$245.95	3	5500/4500	CURT	97-01	HT42465	\$43.95 P,RC	
									14-18	HT18605	\$88.95 P,PC	
									19-23	HT18779	\$127.95 P,PC	

Jeeps continued on next page



Hitch Guide Footnotes	Electrical Guide Footnotes*
AS- Support Strap #HAAS22 (page 22) required on non-trailer loads HE- Hole Enlargement HG- Horizon Global NBS- New Body Style OBS- Old Body Style Put- Putnam RT- Round Cross Tube AWD- All Wheel Drive ND- No Drilling WB- Wheel base	U - Universal Splice kit BS - basic system, no converter needed PC - Power Converter and tow vehicle protection device included. Requires installation of battery feed wire PC2 - Same as PC but no battery wire install needed ZCI - Zero Contact Interface; see page 115
*Class 1 & 2 hitches include a 1 1/4" ball mount and a 1/2" pin & clip. *Class 2.5, 3, 4 & 5 hitches do NOT include a 2" square ball mount and a 5/8" pin & clip.	P - Plug-in-simple kit RC - regular converter included B - Plug stored interior of vehicle

Vehicle	Drill	ITEM#	Price	Cls	GTW Rating	Mfg	Year	ITEM#	Price	Code*	
Jeeps cont.							Electrical				
Grand Cherokee							Mfg 3/94 - 1998				
99-04	RT	ND 13051	\$254.95	3	6000/5000	CURT	95-98	HT18349	\$59.95	P,PC,B	
05-10		ND 13251	\$201.95	3	5500/5000	CURT	99-04	HT18369	\$46.95	P,PC2,B	
11-17	Except SRT, SRT8, Trackhawk & diesel	Main body concealed ND 13065	\$215.95	3	7500/5000	CURT	05-06	HT42545	\$85.95	P,PC	
12-21	Except SRT, SRT8, & Trackhawk	Main body exposed, RT ND 13182	\$215.95	3	7500/6000	CURT	07-13	HT18425	\$39.95	P,BS	
21-24	Grand Cherokee L	Main body concealed ND 13525	\$290.95	3	7500	CURT	14-21	HT18727	\$89.95	P,PC	
22-24	Grand Cherokee, Except Trackhawk	Main body concealed ND 13525	\$290.95	3	7500	CURT	Except TrailHawk				
							22-23	HT56473	\$82.95	P,PC	
							With factory 7RV				
							00-10	HT42145	See page 116		
							11-24	U.S. Car options: page 117			
Liberty							02-07	HT42475	\$60.95	P,RC	
01-07	AS	ND 13044	\$262.57	3	5000	CURT	08-12	HT18554	\$99.95	P,PC	
08-12		ND 13245	\$275.95	3	7500/5000	CURT	With factory 7RV				
							04-07	HT42145	See page 116		
							08-12	U.S. Car options: page 117			
Patriot							08-17	HT56333	\$74.95	P,PC	
11-17		Minor Fascia Trim, AS ND 13081	\$225.95	3	4000	CURT					
Renegade							15-23	HT56274	\$119.95	P,PC,B	
15-23		Main Body Exposed, RT HE 13269	\$230.95	3	3500	CURT					
Wrangler							98-04	HT42615	\$34.95	P,BS,B	
97-06	AS	ND 13408	\$254.95	3	4000	CURT	05-06	HT42625	\$35.95	P,BS,B	
07-18		2018 JK only ND 13432	\$141.95	3	4000/3500	CURT	('18 Old body style, JK)				
18-24		Except 2018 JK, Except diesel HE 13392	\$141.95	3	4000/3500	CURT	07-18	HT55124	\$31.95	P,BC	
							With factory 7RV				
							04-17	HT42145	See page 116		
							JL, new body style (NOT '18 JK)				
							18-24	HT18786	\$119.95	P,PC	
							With Factory tow Package				
							19-24	U.S. Car options: page 117			
Kia							Electrical				
Sedona Van							06-12	HT18410	\$89.95	P,PC	
06-12		(06-10 Long 119" wheelbase only) ND 13345	\$312.95	3	4000/3500	CURT	2014	HT18410	\$89.95	P,PC	
2014		ND 13345	\$312.95	3	4000/3500	CURT	15-21	HT18269	\$67.95	P,PC	
15-21		Main body exposed, RT ND 13115	\$275.95	3	4000/4000	CURT	03-06	HT18307	\$38.95	P,RC	
Sorento							With tow package				
11-13		Under car trimming required, RT, AS ND 13073	\$238.95	3	3500	CURT	07-13	HT18269	\$67.95	P,RC	
14-15		900 TW! ND 13152	\$245.95	3	8000/6000	CURT	Without tow package				
16-20		Main body exposed, 750 TW!, RT ND 13195	\$275.95	3	5000	CURT	11-13	HT18506	\$109.95	P,PC	
21-24		600 TW! ND 13473	\$256.95	3	4000	CURT	With V6 engine				
							14-23	HT18269	\$67.95	P,RC	
							With I4 engine				
							14-20	HT18583	\$99.95	P,PC	
							21-23	HT18838	\$113.95	P,PC	

Kia continued on next page

Hitch & Electrical Applications



Vehicle	Drill	ITEM#	Price	Cls	GTW Rating	Mfg	Year	ITEM#	Price	Code *	
Kia cont.							Electrical				
Sportage											
04-10		AS ND	13526	\$251.95	3	3500	CURT				
11-15	Except SX models	Main body concealed, AS	ND	13066	\$219.95	3	3500	CURT	11-16	HT18526 \$119.95 P,PC,B	
17-22		Main body concealed, 525 TW	ND	13281	\$238.95	3	3500	CURT	17-22	HT18698 \$116.95 P,PC	
23-24		Main body concealed, 525 TW	ND	13485	\$275.95	3	3500	CURT	23-24	HT56474 \$90.95 P,PC	
Telluride											
20-24		Under car trimming required, RT, 750 TW	ND	13420	\$297.95	3	6000/5000	CURT	20-22	HT18784 \$67.95 P,PC2	
Lexus Cars & SUV's							Electrical				
RX-330											
04-06	RT		ND	13530	\$256.95	3	4000/3500	CURT			
RX-350											
07-09			ND	13530	\$256.95	3	4000/3500	CURT			
10-15		Under car trimming required	ND	13143	\$238.95	3	5000/4000	CURT			
Lincoln Cars							Electrical				
Mark VI											
80-83				13707	\$286.95	3	6000/4000	CURT			
MKZ											
13-20	Except 17-20 3.0L AWD		ND	120913	\$223.95	2	3500/350	CURT			
Town Car											
81-11				13707	\$286.95	3	6000/4000	CURT			
Lincoln SUV's & Pickups							Electrical				
Mark LT Pickup											
06-08			ND	13360	\$230.95	3	10000/6000	CURT	06-08	U.S. Car options: page 117	
MKT											
10-17	Ecoboost	Main Body Exposed, RT	ND	13110	\$320.95	3	4000/4000	CURT			
MKX											
07-15		Under car trimming required, fits under OE 1 1/4" receiver, AS		13067	\$273.95	3	4000	CURT	07-10	HT18551 \$95.95 P,PC	
16-18		Minor modifications required, 675 TW!	ND	13452	\$268.95	3	4500/4500	CURT	11-15	HT56121 \$82.95 P,PC,B	
Nautilus											
19-23		Minor modifications required, 675 TW!	ND	13452	\$268.95	3	4500/4500	CURT			
Mazda SUV's, Vans, & Pickups							Electrical				
Pickup, B Series											
94-10	B2300,B3000,B4000	(00-05 are ND)		13019	\$230.95	3	6000/4000	CURT	94-09	HT40215 \$42.95 P,RC	
									With tow package		
									98-99	HT40215 \$42.95 P,BS	
CX-5											
13-23	Excluding diesel	Main Body Concealed, 600 TW!	ND	13315	\$225.95	3	4000	CURT	13-15	HT56011 \$49.95 P,PC2,B	
									17-21	HT18746 \$88.95 P,PC	
CX-9											
07-15			AS ND	13575	\$286.95	3	4000	CURT			

Mazda SUV's Vans, & Pickups continued on next page

Hitch Guide Footnotes	Electrical Guide Footnotes*
AS- Support Strap #HAAS22 (page 22) required on non-trailer loads HE- Hole Enlargement HG- Horizon Global NBS- New Body Style OBS- Old Body Style Put- Putnam RT- Round Cross Tube AWD- All Wheel Drive ND- No Drilling WB- Wheel base *Class 1 & 2 hitches include a 1 1/4" ball mount and a 1/2" pin & clip. *Class 2.5, 3, 4 & 5 hitches do NOT include a 2" square ball mount and a 5/8" pin & clip.	U - Universal Splice kit BS - basic system, no converter needed PC - Power Converter and tow vehicle protection device included. Requires installation of battery feed wire PC2 - Same as PC but no battery wire install needed ZCI - Zero Contact Interface; see page 115 P - Plug-in-simple kit RC - regular converter included B - Plug stored interior of vehicle

Vehicle	Drill	ITEM#	Price	Cls	GTW Rating	Mfg	Year	ITEM#	Price	Code*			
Mazda SUV's, Vans, & Pickups cont.							Electrical						
Tribute							With tow package						
05-11		Without 1¼" factory receiver	RT	13650	\$286.95	3	5000/3500	CURT	08-11	HT18551	\$95.95	P,BS,B	
							Without tow package						
							01-03 HT40315 \$80.95 P,PC,B						
							2004 HT46255 \$77.95 U,PC						
							05-06 HT18426 \$79.95 P,PC						
Mercedes-Benz Vans							Electrical						
Sprinter 2500													
10-24		Standard bumper	ND	13388	\$327.95	3	10000/6000	CURT	07-13	HT18650	\$103.95	P,PC	
		Cargo van with step bumper	ND	13358	\$342.95	3	7500/5000	CURT	14-18	HT18649	\$103.95	P,PC	
Sprinter 3500							19-21 HT18876 \$116.95 P,PC						
10-19		Cargo van, 144" WB, step bumper	ND	13375	\$327.95	3	7500/5000	CURT	Provides 7RV & brake control connector				
10-24		Standard bumper	ND	13388	\$327.95	3	10000/6000	CURT	19-23	HT22129	\$289.95	P,PC	
		Cargo van, 170" WB, step bumper	ND	13358	\$342.95	3	7500/5000	CURT					
Mercury Cars							Electrical						
Grand Marquis & LS													
83-09		Sedan and 79-86 Wagon		13707	\$286.95	3	6000/4000	CURT					
Mercury Vans & SUV's							Electrical						
Mariner													
05-12		Without 1¼" factory receiver	RT	13650	\$286.95	3	5000/3500	CURT	08-11	HT18551	\$95.95	P,PC,B	
Mountaineer							Without tow package						
98-01		With 16" spare	RT	ND	13540	\$262.95	3	6000/4000	CURT	97-00	HT40315	\$80.95	P,PC,B
06-10		Fits beneath OEM 1 ¼" receiver, RT	ND	13112	\$273.95	3	8000/5000	CURT	02-03	HT18344	\$31.95	P,BS	
							With tow package						
							96-01 HT40915 \$19.95 P,BS						
							02-05 HT40335 \$22.95 P,BS,B						
							With factory 7RV						
							02-10 U.S. Car options: page 117						
Mitsubishi							Electrical						
Outlander							Excludes sport and PHEV						
14-20		Except Sport or PHEV	RT, 600 TW!	ND	13163	\$275.95	3	4000/4000	CURT	14-21	HT18482	\$77.95	P,PC,B
11-24		Sport	Main body exposed, RT	ND	13079	\$208.95	3	3500	CURT	Sport, excludes PHEV			
							11-19 HT18538 \$78.95 P,PC,B						
Nissan Cars							Electrical						
Altima													
07-24		Sedan	AS	113523	\$283.95	1	2000	CURT					
Maxima													
09-23		Sedan	AS (Except 2015)	113523	\$283.95	1	2000	CURT					

Hitch & Electrical Applications



Vehicle	Drill	ITEM#	Price	Cls	GTW Rating	Mfg	Year	ITEM#	Price	Code*	
Nissan Vans & SUV's							Electrical				
Armada											
05-15	RT	ND	13188	\$268.95	3	10000/6000	CURT	04-15	7RV replacement, See page 117		
Murano											
09-14	RT, AS	ND	13577	\$252.95	3	4000	CURT	09-14	HT18653	\$108.95 P,RC,B	
15-24	RT, AS	ND	13205	\$245.95	3	3500	CURT	Except CrossCabriolet			
								15-24	HT18660	\$78.95 P,RC,B	
NV (Not NV200)											
NV1500-NV2500											
12-21	Commercial Van		ND	13109	\$268.95	3	10000/7500	CURT	12-21	HT18553	\$89.95 P,PC
			ND	14000	\$327.95	4	12000/10000	CURT	NV3500		
								12-21	HT18553	\$89.95 P,PC	
Pathfinder											
96-04	RT	ND	25140	\$185.95	3	5000/5000	Put	05-12	HT18525	\$63.95 P,BS	
13-16		Minor Fascia Trim, 600 TW!	ND	13126	\$225.95	3	5000/4000	CURT	13-20	HT18670	\$108.95 P,BS
17-20		Minor Fascia Trim, 900 TW!	ND	13309	\$238.95	3	6,000	CURT	Except 08-12 with factory 4-flat		
								Provides 7RV			
								05-12	HT18266	\$109.95 P,BS	
Quest											
99-03 See Nissan Dealer											
04-09		ND	13563	\$327.95	3	5000/3500	CURT	04-09	HT55570	\$59.95 P,RC,B	
11-17		ND	13078	\$335.95	3	5000/3500	CURT	11-17	HT18547	\$89.95 P,RC	
Rogue (Not Rogue Sport)											
Except 08-13 Krom & 14-20 Sport											
08-20	AS, 525 TW!	ND	13204	\$225.95	3	3500	CURT	08-20	HT18480	\$79.95 P,PC	
21-24	525 TW!	ND	13471	\$238.95	3	3500	CURT	21-22	HT18833	\$112.95 P,PC	
Xterra											
00-04	RT	ND	13183	\$286.95	3	6000/4000	Put	00-04	HT43595	\$20.95 P,BS	
05-15	RT	ND	13514	\$275.95	3	6000/4000	CURT	05-15	HT18525	\$63.95 P,BS	
								With factory 4-flat			
								05-15	HT43575	\$19.95 P,BS	
								Provides 7RV			
								05-15	HT18266	\$109.95 P,BS	
Nissan Pickups							Electrical				
Frontier											
00-04	4 Door, Short Bed		ND	13841	\$286.95	3	6000/5000	CURT	98-04	HT43515	\$58.95 P,RC
05-24			ND	13241	\$215.95	3	8000/5000	CURT	05-23	HT18525	\$63.95 P,BS
								With factory 4-flat			
								05-19	HT43575	\$19.95 P,BS	
								Provides 7RV			
								05-23	HT18266	\$109.95 P,BS	
								With tow package			
								Provides 7RV & 4-flat combo			
								11-19	HT43534	\$44.95 P,BS	
Titan											
04-15	RT	ND	13199	\$273.95	3	10000/6000	CURT	04-24	U.S. Car options: page 117		
17-24		Main body exposed, RT	ND	13304	\$301.95	4	12000/8000	CURT			

Hitch Guide Footnotes	Electrical Guide Footnotes*
AS- Support Strap #HAAS22 (page 22) required on non-trailer loads HE- Hole Enlargement HG- Horizon Global NBS- New Body Style OBS- Old Body Style Put- Putnam RT- Round Cross Tube •Class 1 & 2 hitches include a 1 1/4" ball mount and a 1/2" pin & clip. •Class 2.5, 3, 4 & 5 hitches do NOT include a 2" square ball mount and a 5/8" pin & clip.	AWD- All Wheel Drive ND- No Drilling WB- Wheel base U - Universal Splice kit BS - basic system, no converter needed PC - Power Converter and tow vehicle protection device included. Requires installation of battery feed wire PC2 - Same as PC but no battery wire install needed ZCI - Zero Contact Interface; see page 115
	P - Plug-in-simple kit RC - regular converter included B - Plug stored interior of vehicle

Vehicle	Drill	ITEM#	Price	Cls	GTW Rating	Mfg	Year	ITEM#	Price	Code*	
Oldsmobile Vans & SUV's							Electrical				
Bravada							96-01	HT41225	\$14.95	U,BS	
95-04	RT ND	13300	\$262.95	3	6000/4000	CURT	02-04	U.S. Car options: page 117			
Silhouette											
97-05		13344	\$273.95	3	6000/4000	CURT	97-04	HT18355	\$46.95	P,RC,B	
Plymouth Vans							Electrical				
Voyager, Grand Voyager							91-95	HT42205	\$49.95	P,BS,B	
96-03	Main body concealed	13362	\$262.95	3	5000/4000	CURT	96-00	HT18334	\$54.95	P,RC,B	
Pontiac Cars							Electrical				
G5							2 door				
07-09	AS	114473	\$298.95	1	2000	CURT	07-09	HT18407	\$33.95	P,BS	
Pontiac Vans & SUV's							Electrical				
Trans Sport, Montana							97-05	HT18355	\$46.95	P,RC,B	
99-09	All	13344	\$273.95	3	6000/4000	CURT	SV6 only (07-09 Canadian only)				
							05-09	HT18396	\$45.95	P,BS	
Torrent											
06-09	AS ND	122913	\$283.95	2	3500	CURT	07-09	HT18432	\$35.95	P,BS	
	RT ND	13591	\$193.95	3	4000/3500	CURT					
Saturn							Electrical				
Outlook											
07-09	AS ND	13424	\$219.95	3	6000/5000	CURT					
Vue											
01-07	AS ND	122913	\$283.95	2	3500	CURT	02-07	HT56018	\$55.95	P,RC,B	
	Minor fascia trim required on Red Line, RT ND	13591	\$193.95	3	4000/3500	CURT					
Subaru							Electrical				
Ascent											
19-24	Under body trimming required, RT, 675 TW!	HE 13400	\$268.95	3	5000	CURT	19-24	HT18790	\$45.95	P,PC2	
Crosstrek							Except Hybrid				
16-17	Except 17 Hybrid	525 TW! HE 13135	\$219.95	3	3500	CURT	16-24	HT18467	\$45.95	P,PC2	
18-24	Except Hybrid	525 TW! HE 13382	\$225.95	3	3500	CURT					
Forester											
98-08	AS ND	120383	\$283.95	2	3500	CURT	98-08	HT18461	\$51.95	P,PC2	
09-13	RT, AS HE	13147	\$230.95	3	4000	CURT	09-24	HT18467	\$45.95	P,PC2	
14-18	RT, AS, 525 TW!	HE 13144	\$208.95	3	3500	CURT					
19-24	RT, Main body exposed, 525 TW!	HE 13409	\$219.95	3	3500	CURT					
Impreza											
12-16	Wagon, Excluding WRX & WRX STI	HE 112863	\$245.95	1	2000	CURT					
17-24	Hatchback, Single exhaust	Main body exposed HE 114653	\$253.95	1	2000	CURT					

Subaru continued on next page



Hitch & Electrical Applications



Vehicle	Drill	ITEM#	Price	Cls	GTW Rating	Mfg	Year	ITEM#	Price	Code *	
Subaru cont.							Electrical				
Legacy											
90-04		Including Outback & 2.5GT	AS ND	122703	\$342.95	2	3500	CURT	Wagon (96-99 Outback only)		
15-19		Sedan	RT, AS, 600 TW!	13390	\$262.95	3	4000	CURT	96-99	HT18461 \$51.95 P,PC2	
20-24		Sedan	Minor fascia trim, 600 TW!	ND 13494	\$251.95	3	3500	CURT	05-07	HT18461 \$51.95 P,PC2	
Outback							Wagon, Except Sport				
00-04			AS ND	122703	\$342.95	2	3500	CURT	00-09	HT18461 \$51.95 P,PC2	
10-13			RT, AS, 600 TW!	13390	\$262.95	3	4000	CURT	10-24	HT18467 \$45.95 P,PC2	
14-19		Wagon	AS, 600 TW!, RT	13206	\$256.95	3	4000	CURT			
20-24		Wagon	Minor fascia trim, 600 TW!	ND 13494	\$251.95	3	3500	CURT			
XV Crosstrek							Except Hybrid				
13-15			HE	112863	\$245.95	1	2000	CURT	13-15	HT18467 \$45.95 P,PC2	
			525 TW!	HE 13135	\$219.95	3	3500	CURT			
Suzuki							Electrical				
Equator											
09-12			Main body concealed ND	13241	\$215.95	3	8000/5000	CURT	09-12	HT18525 \$63.95 P,BS	
Toyota Cars							Electrical				
Avalon							11-12 HT18482 \$77.95 P,PC				
13-18			Main body exposed, Under body trimming required, RT	121073	\$277.95	2	3500/350	CURT	13-18	HT18578 \$89.95 P,PC	
Camry							4 door only, No Hybrid				
07-11		Sedan Except SE	AS ND	123433	\$283.95	2	3500/350	CURT	07-09	HT18405 \$66.95 P,PC	
12-17			Main body exposed, Under body trimming required, RT	121073	\$277.95	2	3500/350	CURT	10-11	HT18482 \$77.95 P,PC	
18-24			Main body concealed, Under body trimming required	HE 115763	\$283.95	1	2000/200	CURT	Including Hybrid		
									12-17	HT18405 \$66.95 P,PC	
Corolla											
03-13		Sedan	AS ND	112953	\$169.95	1	2000	CURT	Except hatchback		
03-19		Sedan	RT ND	112653	\$245.95	1	2000	CURT	14-19	HT18405 \$66.95 P,PC	
Prius											
10-15		12-15 Plug-in & 12-17 V	Main body exposed, RT, AS ND	112763	\$223.95	1	2000	CURT			
Toyota Vans & SUV's							Electrical				
Highlander							04-07 HT18248 \$46.95 P,PC2				
04-07			RT ND	13530	\$256.95	3	4000/3500	CURT	Without tow package		
08-13			AS ND	13534	\$268.95	3	5000	CURT	20-21	HT56452 \$84.95 P,PC	
14-19			Minor fascia trim, RT, 900 TW!	ND 13200	\$286.95	3	8000/6000	CURT	With tow package		
20-24			Under body trimming required	ND 13453	\$305.95	3	5000	CURT	08-19	HT56217 \$51.95 P,PC2	
									20-24	HT56480 \$63.95 P,PC2	
									OE replacement 4 flat		
									20-24	HT18292 \$21.95 P,BS	

Toyota Vans & SUVs continued on next page

Hitch Guide Footnotes	Electrical Guide Footnotes*
AS- Support Strap #HAAS22 (page 22) required on non-trailer loads HE- Hole Enlargement HG- Horizon Global NBS- New Body Style AWD- All Wheel Drive OBS- Old Body Style Put- Putnam RT- Round Cross Tube ND- No Drilling WB- Wheel base	U - Universal Splice kit P - Plug-in-simple kit BS - basic system, no converter needed RC - regular converter included PC - Power Converter and tow vehicle protection device included. Requires installation of battery feed wire PC2 - Same as PC but no battery wire install needed ZCI - Zero Contact Interface; see page 115 B - Plug stored interior of vehicle
*Class 1 & 2 hitches include a 1 1/4" ball mount and a 1/2" pin & clip. *Class 2.5, 3, 4 & 5 hitches do NOT include a 2" square ball mount and a 5/8" pin & clip.	

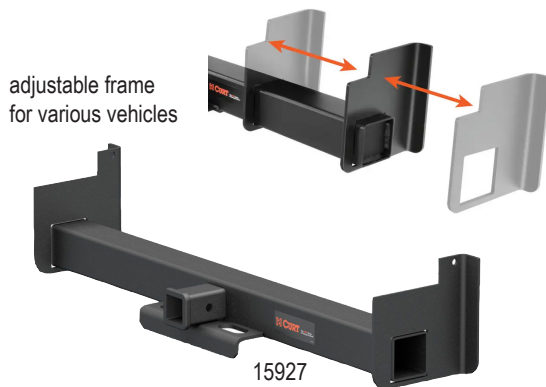
Vehicle	Drill	ITEM#	Price	Cls	GTW Rating	Mfg	Year	ITEM#	Price	Code*		
Toyota Vans and SUV's cont.							Electrical					
RAV4							01-05	HT43465	\$56.95	P,RC		
06-18	Excluding electric	RT, 525 TW!	ND	13149	\$215.95	3	4000/3500	CURT	06-12	HT18412	\$73.95	P,PC
19-24		600TW!	ND	13416	\$238.95	3	4000/4000	CURT	13-18	HT18578	\$89.95	P,PC
									19-24	HT18801	\$89.95	P,PC
Sienna Van							04-10	HT18304	\$54.95	P,RC		
04-20	Main body exposed, Under car trimming required, RT	ND	13105	\$230.95	3	5000/3500	CURT	11-14	HT18498	\$82.95	P,PC	
11-20	Main body concealed, Under car trimming required, 525 TW!	ND	13343	\$238.95	3	3500	CURT	21-24	HT18824	\$72.95	P,PC2	
21-24	Main body concealed, Under car trimming required, RT	ND	13470	\$219.95	3	5000/3500	CURT	(SE only)				
								15-20	HT18498	\$82.95	P,PC	
								(Except SE)				
								15-20	HT18648	\$88.95	P,PC	
Toyota Pickups							Electrical					
Tacoma							95-00	HT43305	\$34.95	P,RC		
95-04		ND	13013	\$262.95	3	6000/5000	CURT	01-04	HT43315	\$50.95	P,RC	
05-15		ND	13323	\$193.95	3	5500/5000	CURT	05-15	HT18496	\$69.95	P,RC	
16-23	Without factory receiver	900 TW!	ND	13264	\$215.95	3	8000/6000	CURT	16-23	HT56349	\$85.95	P,PC
Toyota Pickups cont.							Electrical					
Tundra							01-02	HT43375	\$91.95	P,PC2		
00-06	Will not fit with towable bumper mount	ND	13180	\$282.95	3	10000/6000	CURT	With tow package Provides 7RV & 4-flat combo				
								03-06	HT43385	\$43.95	P,BS	
								With factory 7RV Provides 7RV & 4-flat combo				
								07-13	HT43395	\$44.95	P,BS	
								14-24	U.S. Car options: page 117			
Volkswagen							Electrical					
Jetta							80-04	HT46155	\$40.95	U,RC		
05-18	Except diesel	ND	114743	\$260.95	1	2000	CURT	4 Door Sedan only				
								11-18	HT18572	\$119.95	P,PC	
Tiguan							'18	HT18811	\$129.95	P,PC		
18-24		525 TW!	ND	13381	\$238.95	3	3500	CURT				
Touareg												
04-10		AS	ND	13220	\$327.95	3	6000	CURT				
Volvo							Electrical					
S60												
01-09	Sedan	RT, AS	ND	123183	\$283.95	2	3500	CURT	08-09	HT46155	\$40.95	U,RC
V70												
01-07	AWD and T5	RT, AS	ND	123183	\$283.95	2	3500	CURT	06-08	HT46155	\$40.95	U,RC
XC90												
03-14	Minor fascia trim required	ND	13559	\$283.95	3	5000/3500	CURT	05-14	HT18411	\$69.95	P, PC2	

**Cab & Chassis Trucks have MANY variables! We CANNOT guarantee a fit.
Measurements available upon request**

- Bumpers can be lower, higher or extend farther from the rear of vehicle
- Frames can be shortened or lengthened and spring hanger brackets can be in different locations
- Custom beds and after-market items can interfere
- Auxiliary or rear fuel tanks can interfere

Cab & Chassis Hitches									
Year	OD Frame width	Frame to top of receiver tube	c/c hole spacing	ITEM#	Price	Notes	Receiver size	Gross Trailer Weight	Tongue Weight
Chevy 3500 Cab & Chassis									
01-24	34"	7½"	30⅞"	15400	\$417.95		2"	17,000	2,550
	34"	6½"	30⅞"	15800	\$311.95		2½"	20,000	2,700
Ford F-350 Cab & Chassis									
99-19	34"	6"	31"	15445	\$517.95		2"	17,000	2,550
	34"	6"	31"	15845	\$465.95		2½"	20,000	2,700
20-23	34"	6"	30⅞"	15402	\$517.95		2"	17,000	2,550
20-24	34"	5.5"	30⅞"	15804	\$517.95		2½"	20,000	2,700
Ford F-450/F-550/650 Cab & Chassis									
99-24	34"	6"	31"	15445	\$517.95		2"	17,000	2,550
	34"	6"	31"	15845	\$465.95		2½"	20,000	2,700
Dodge 3500, 4500, 5500 Cab & Chassis									
07-24	34"	7½"	30⅞"	15400	\$417.95		2"	17,000	2,550
	34"	6½"	30⅞"	15800	\$311.95		2½"	20,000	2,700

Service Body Hitches



- Excellent choice for service bodies and platform bodies
- Standard 2" receiver
- 16,000 GTW, 1,600 TW

ITEM#	Length	Mounting Plate Height	Price
15927	44"	9.5" tall mounting plate	\$225.95
15928	44"	18" tall mounting plate	\$254.95
1801051L	62"	18" tall mounting plate	\$459.95

B&W Multi-Fit Hitches



- Bolt-on installation, No welding required
- Interlocking, 3-piece design
- If frame plates are swapped end for end, then c/c hole spacing is 36"
- Slotted bolt holes provide mounting flexibility
- 16,000 GTW/ 1,600 TW

ITEM#	OD Frame Width	Frame to top of receiver tube	c/c hole spacing	receiver size	Price
25122	34"	5½"	31½"	2"	\$329.00
25198	34"	7½"	31½"	2"	\$329.00

Hitch Guide Footnotes			Electrical Guide Footnotes*	
AS- Support Strap #HAAS22 (page 22) required on non-trailer loads	AWD- All Wheel Drive		U - Universal Splice kit	P - Plug-in-simple kit
HE- Hole Enlargement	ND- No Drilling		BS - basic system, no converter needed	RC - regular converter included
HG- Horizon Global	NBS- New Body Style		PC - Power Converter and tow vehicle protection device included. Requires installation of battery feed wire	
OBS- Old Body Style	Put- Putnam	RT- Round Cross Tube	PC2 - Same as PC but no battery wire install needed	
	WB- Wheel base		ZCI - Zero Contact Interface; see page 115	B - Plug stored interior of vehicle
•Class 1 & 2 hitches include a 1¼" ball mount and a ½" pin & clip.				
•Class 2.5, 3, 4 & 5 hitches do NOT include a 2" square ball mount and a ¾" pin & clip.				